

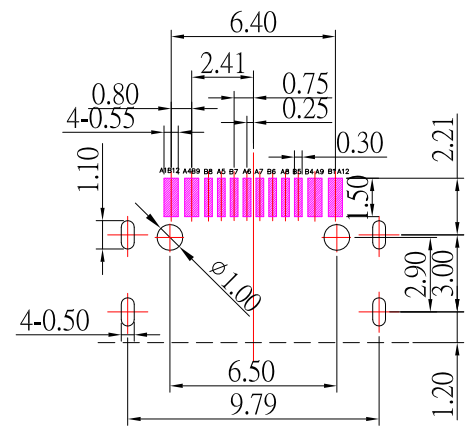
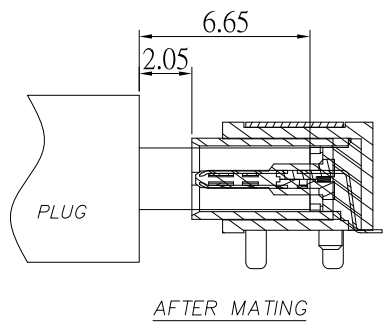
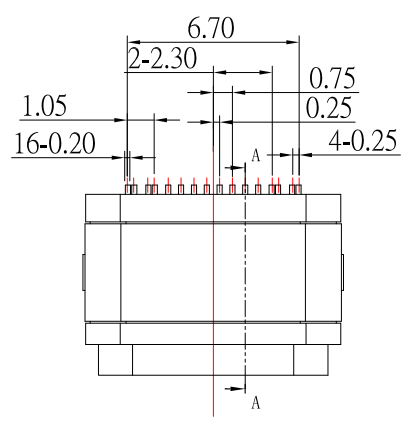
IPX5



SBC-WP160S-20x-S331

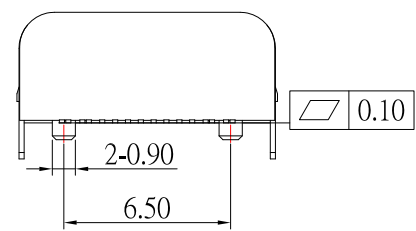
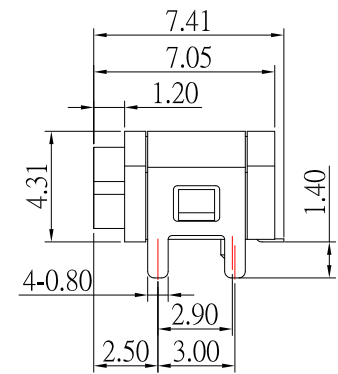
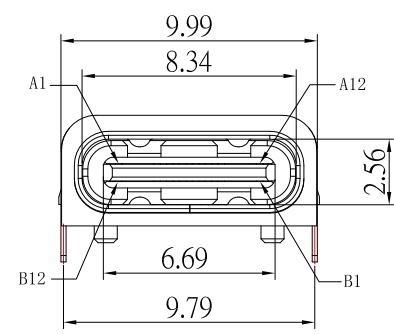
鍍層厚度:

Blank	: 1u"
2	: 15u"
3	: 30u"



RECOMMENDED PCB LAYOUT

A1	GND	B12	GND
A4	VBUS	B9	VBUS
A5	CC1	B8	SBU2
A6	DP1	B7	DN2
A7	DN1	B6	DP2
A8	SBU1	B5	CC2
A9	VBUS	B4	VBUS
A12	GND	B1	GND
PIN	SIGNAL NAME	PIN	SIGNAL NAME



SPECIFICATIONS

Electrical:

1. Rating: 20V, 5.0 A
2. Contact Resistance: 40 mΩ Max
3. Insulation Resistance: 100 MΩ Min

Mechanical:

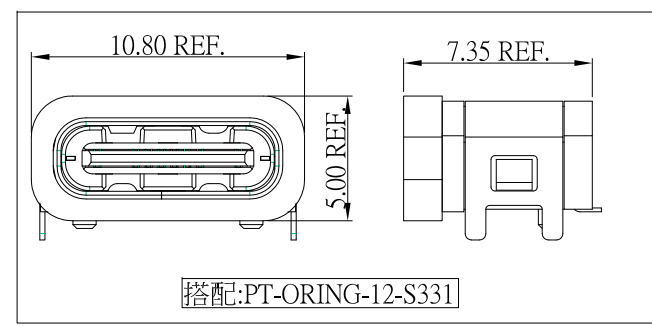
1. Connector Mate and Unmate Force
 - 1.1 Mate force: 5~20 N
 - 1.2 Unmate force: 8~20 N

Material:

1. Housing: LCP
2. Contact: C18150
3. Shell: SUS

Finish:

1. Contact: Plated Gold in Mating Area ;
Gold Plated on Solder Balls ;
Nickel under plated overall
2. Shell: Nickel under Plated surface layer



3	更新Rating	Jack	083023
2	更新圖面	Jack	020223
1	新增尺寸	Jack	013023
ITEM NO.	DESCRIPTION	DRAWN	DATE

CONTACT 建倚科技股份有限公司
CONTACT TECHNOLOGY CORP.

TOLERANCE UNLESS OTHERWISE STATED:	Up to 5 ±0.2	3RD. ANGEL'S	UNITS	MM
	Above 5 ~ 15 ±0.3			
	Above 15 ~ 30 ±0.4			
	Above 30 ~ 50 ±0.5			
	Angle ±0.3°			

DRAWN BY:	DATE	MAT'L	TITLE	CONNECTOR
Jack Lu	08/30/23		MODLE	USB C TYPE 2.0 Female 防水型 防水型IPX5
CHECKED BY:	DATE	FINISH	SCALE	1 : 1
Jacky Chen	08/30/23		DWG NO.	SBC-WP160S-20x-S331
APPROVED BY:	DATE	SHEET NO.	PART NO.	SBC-WP160S-20x-S331
Tony Kao	08/30/23	1 of 1		
			SIZE	A4
			VER	R3